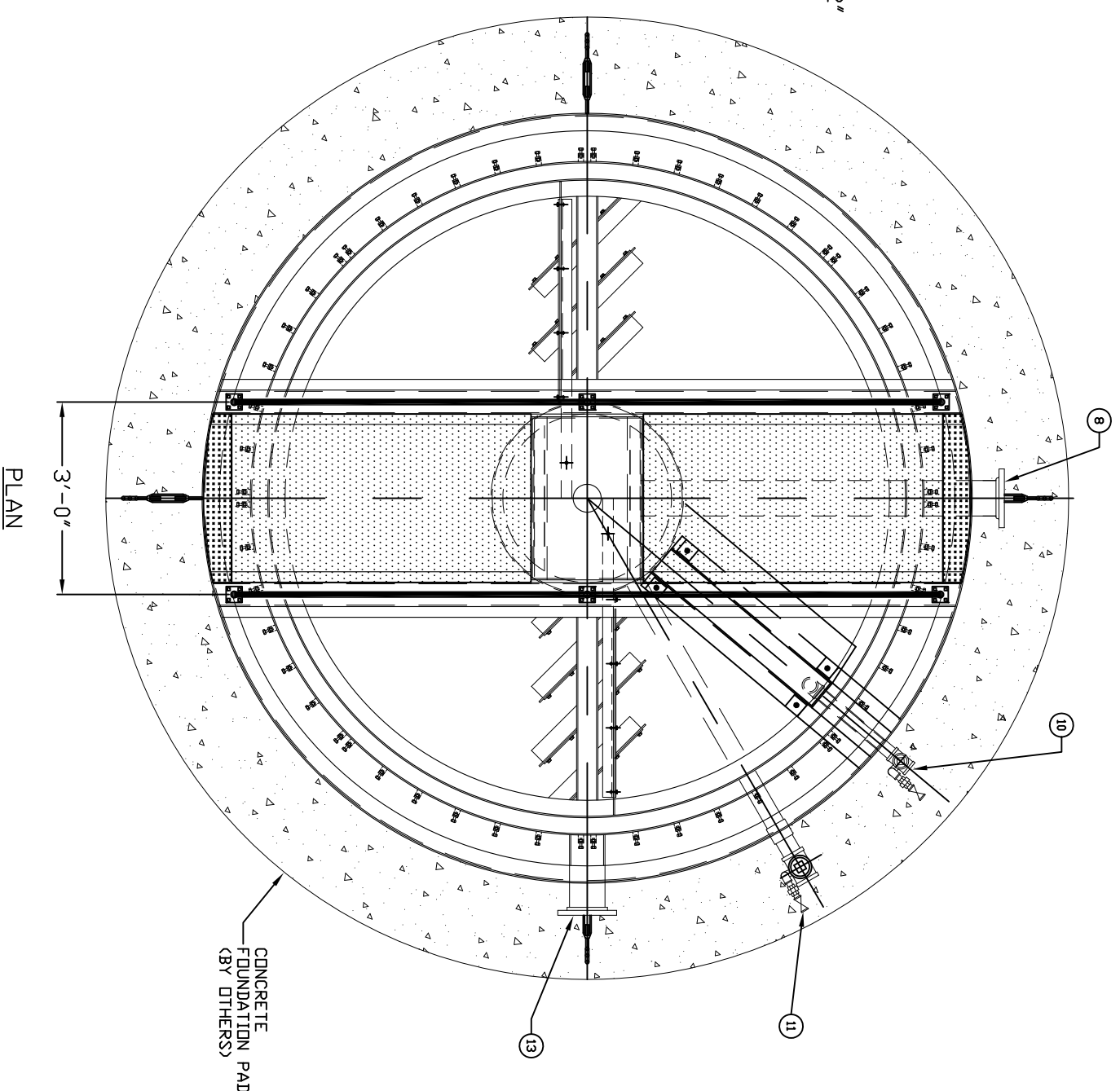
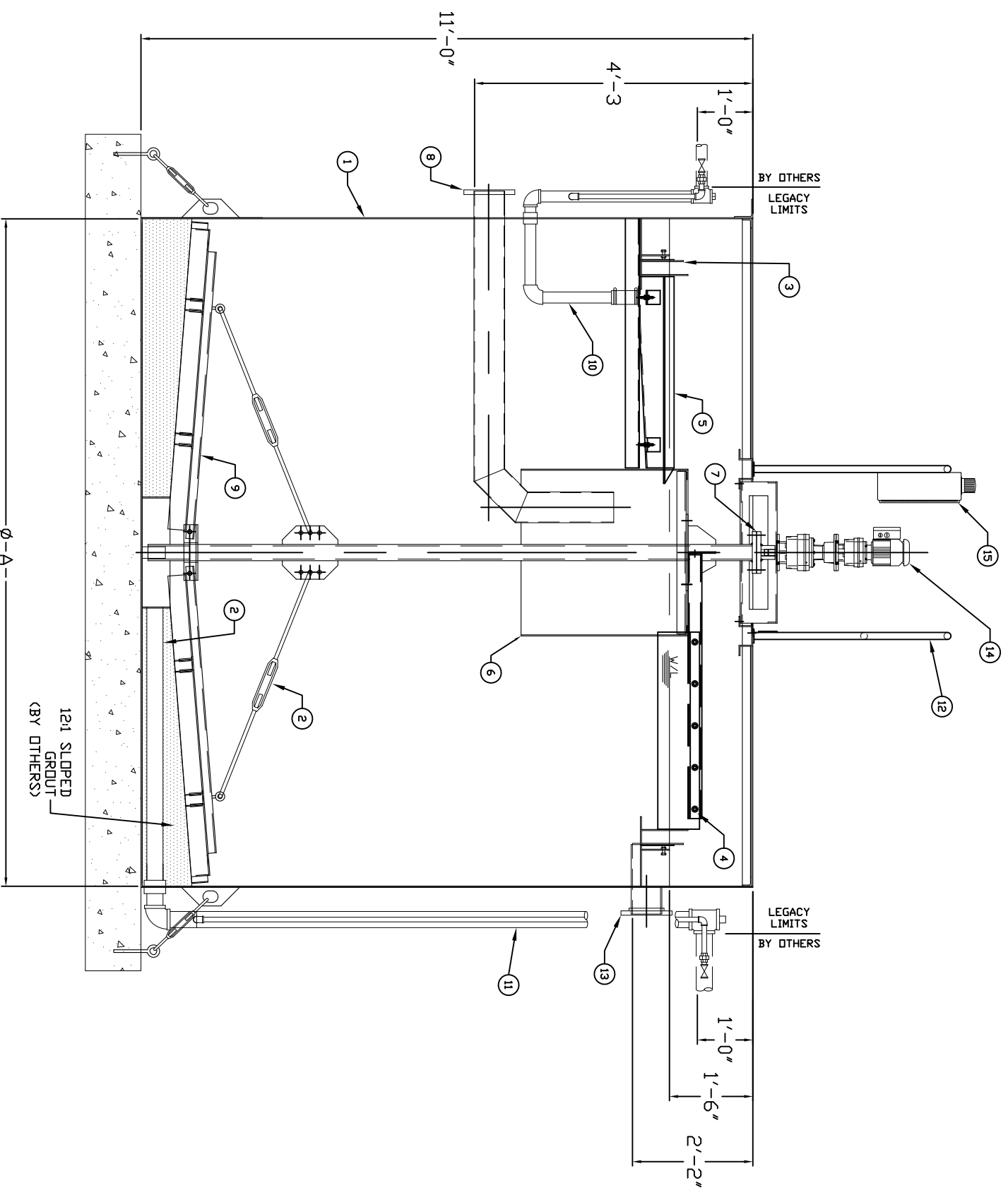


NO.	QTY.	PART NO.	DESCRIPTION
1	1	401	TANK & BRIDGE
2	2	403	SUPPORT RODS
3	1	404	WEIR TROUGH W/ SCUM BAFLE
4	1	405	SKIMMER ARM
5	1	406	SCUM TROUGH
6	1	407	TORQUE TUBE & STILLING WELL
7	1	408	HANG LOAD COUPLING
8	1	410	150# FLANGED INFLUENT
9	2	411	RAKE ARMS
10	1	412	SCUM AIRLIFT PIPE ASSEMBLY
11	1	413	SLUDGE AIRLIFT PIPE ASSEMBLY
12	1	414	HANDRAIL
13	1	415	150# FLANGED EFFLUENT
14	1		GEARMOTOR ASSEMBLY
15	1		CONTROL PANEL



SECTIONAL ELEVATION

NOTICE: THIS DRAWING HAS NOT BEEN PUBLISHED AND IS THE SOLE PROPERTY OF LEGACY ENVIRONMENTAL PROCESS L.L.C. IT IS INTENDED FOR THE PROCESSOR'S USE ONLY. IN NO EVENT SHALL THE PROCESSOR BE HELD LIABLE FOR ANY REPRODUCTION, COPIED, LEFT, OR OTHERWISE USED OF THIS DRAWING FOR ANY PURPOSE OTHER THAN THAT FOR WHICH IT IS SPECIFICALLY FURNISHED.

TOLERANCE UNLESS NOTED:
 ALL DIMENSIONS IN INCHES:
 DECIMAL FRACTIONAL: ± 1/32"
 ANGLES: ± 1/2°
 DECIMAL: ± .015"
 HOLE SURFACE: ± .001"
 HOLE SURFACE: ± .001"
 HOLE SURFACE: ± .001"

DESIGNED BY	DATE	4/6/06
CHECKED BY	DATE	4/6/06
APPROVED BY	DATE	4/10/06
NEXT ASSY	SHEET	1 OF 1

LEGACY ENVIRONMENTAL PROCESS L.L.C.
 1445 Ashville Road, Suite 103 Phone: 205-640-1035
 Leeds, AL 35094 U.S.A. FAX: 205-640-1039

**8'-0" THRU 40'-0" DIAMETER
 PREFABRICATED STEEL CIRCULAR
 MECHANICAL CLARIFIER STANDARD**

SCALE: NTS
 CUSTOMER: STD.

DWG. NO.: LMC-001
 REV: 0

MODEL NUMBER: LMC-001

DESIGN FLOW	-A-	-B-	-C-	-D-	-E-	-F-	-G-
-------------	-----	-----	-----	-----	-----	-----	-----