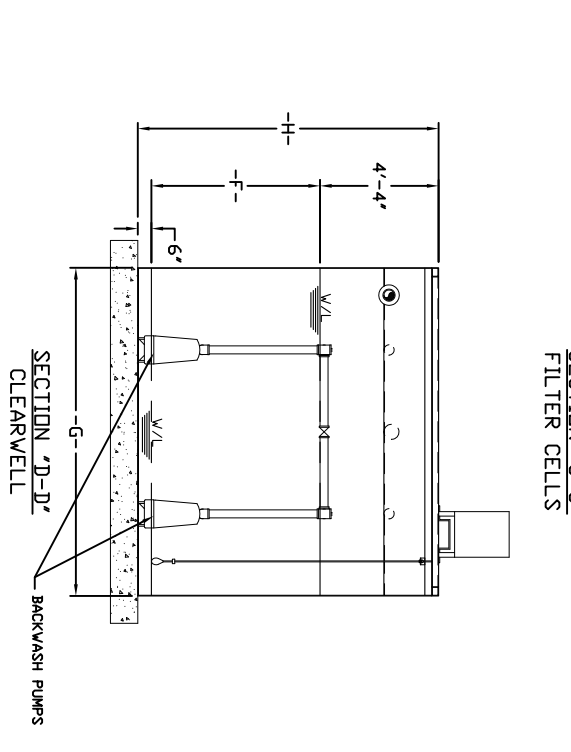
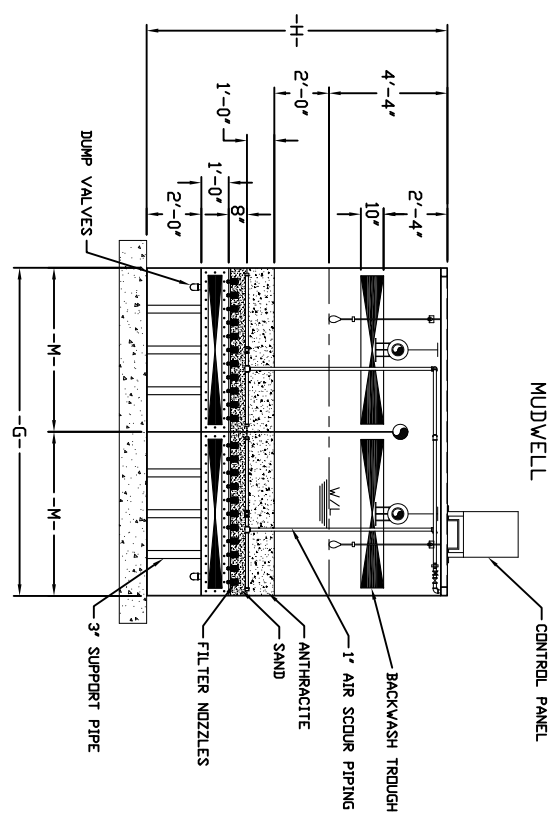
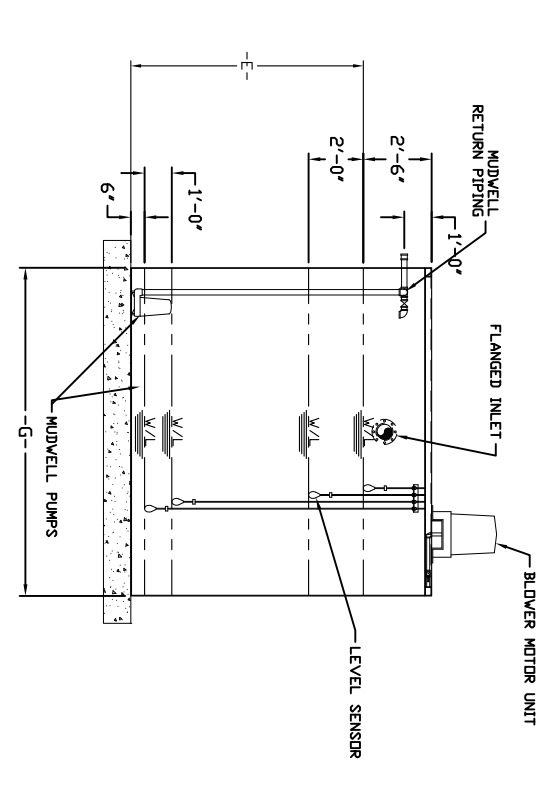
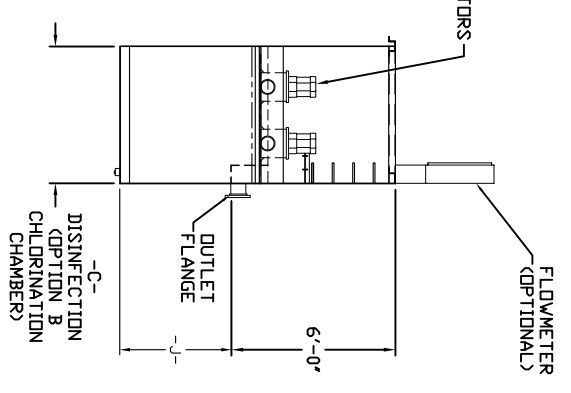
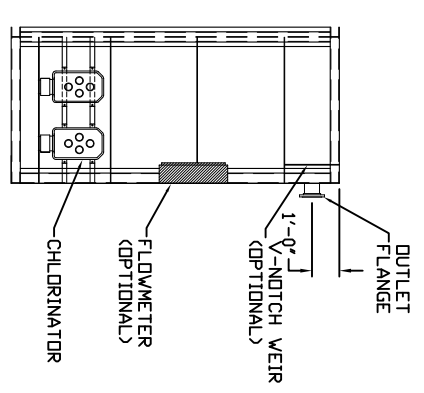
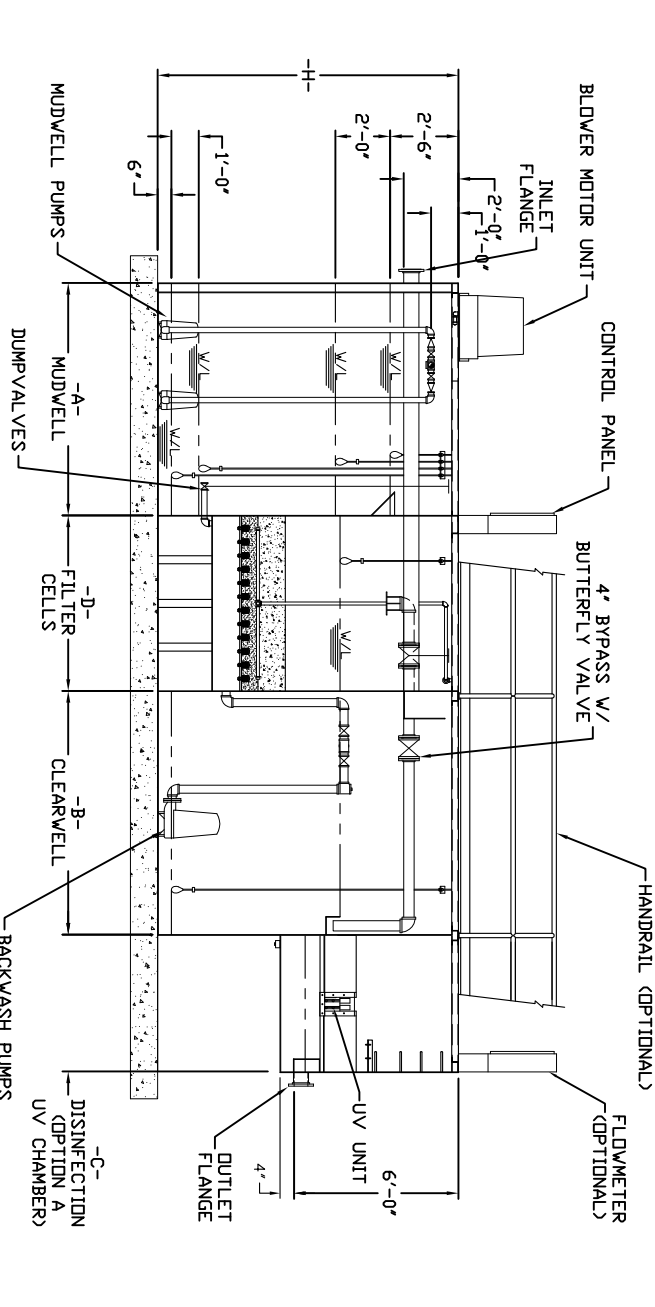
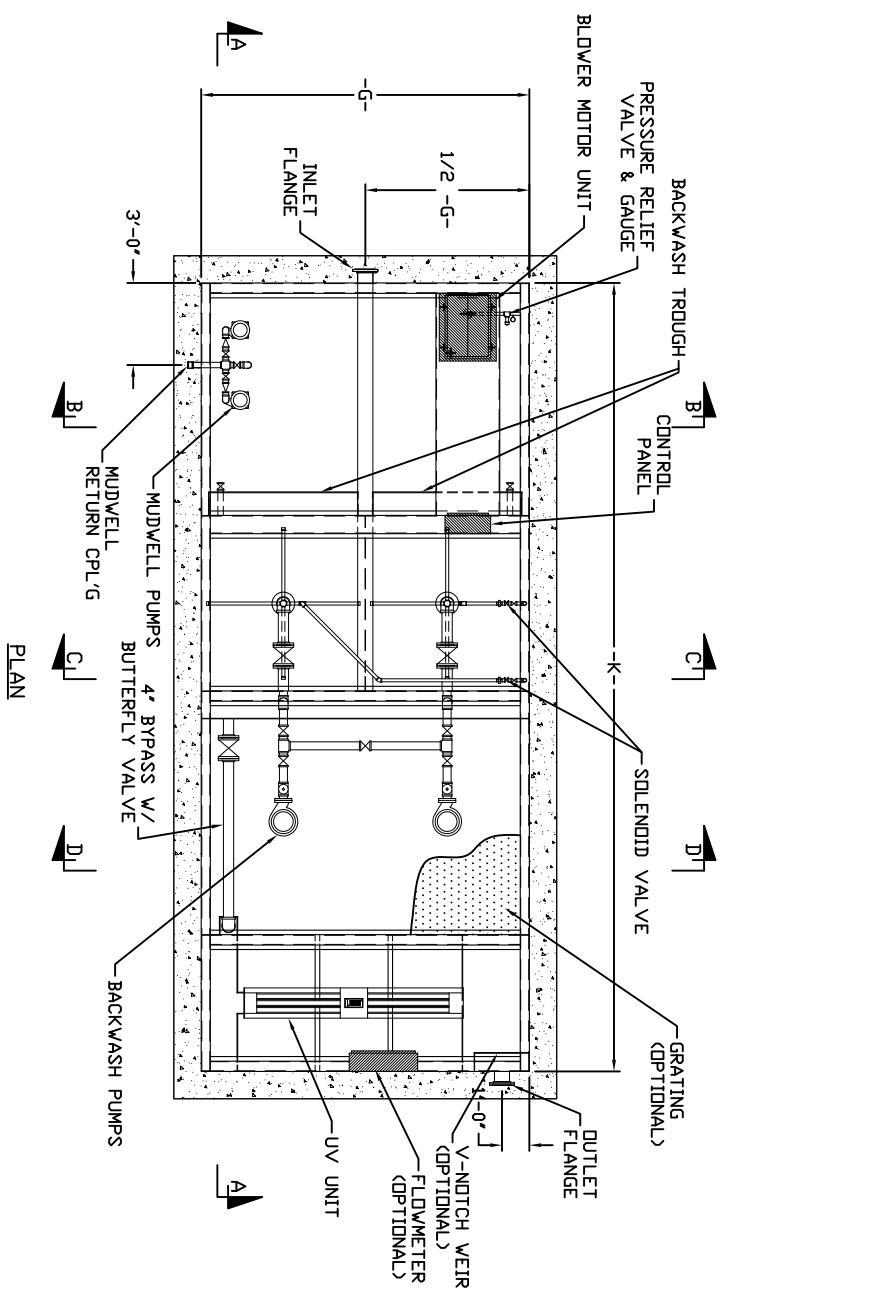


MODEL NUMBER	LF-002	DESIGN FLOW	FILTER CELL AREA	MUDWELL VOLUME	CONTROL VOLUME	FILTER CELL VOLUME	CHLORINATION VOLUME	-A-	-B-	-C-	-D-	-E-	-F-	-G-	-H-	-J-	-K-	-M-
--------------	--------	-------------	------------------	----------------	----------------	--------------------	---------------------	-----	-----	-----	-----	-----	-----	-----	-----	-----	-----	-----



NOTICE: THIS DRAWING HAS NOT BEEN PUBLISHED AND IS THE SOLE PROPERTY OF LEGACY ENVIRONMENTAL PROCESS L.L.C. IT IS THE PROPERTY OF LEGACY ENVIRONMENTAL PROCESS L.L.C. AND IS NOT TO BE REPRODUCED, COPIED, LENT, OR OTHERWISE DISPOSED OF IN ANY MANNER WITHOUT THE WRITTEN CONSENT OF LEGACY ENVIRONMENTAL PROCESS L.L.C. FOR ANY PURPOSES OTHER THAN THAT FOR WHICH IT IS SPECIFICALLY FURNISHED.

TOLERANCE UNLESS NOTED:
 ALL DIMENSIONS IN INCHES:
 FRACTIONAL: ± 1/32"
 DECIMAL: ± 0.015"
 ANGLES: ± 1/2°
 HOLE SURFACE: 125 μ INK.

DRAWN: [Signature] DATE: 4/6/06
 CHECKED: [Signature] DATE: 4/6/06
 APPROVED: [Signature] DATE: 4/10/06
 NEXT ASSY: [Signature] SHEET 1 OF 1

LEGACY ENVIRONMENTAL PROCESS L.L.C.
 1445 Ashville Road, Suite 103 Leeds, AL 35094 U.S.A.
 Phone: 205-640-1035 Fax: 205-640-1039
 110,000 GPD PREFABRICATED STEEL DUAL MEDIA TERTIARY SAND FILTER STANDARD

SCALE: NTS
 CUSTOMER: STD.
 DWG. NO.: LF-002
 REV: 0

www.legacyenvpro.com