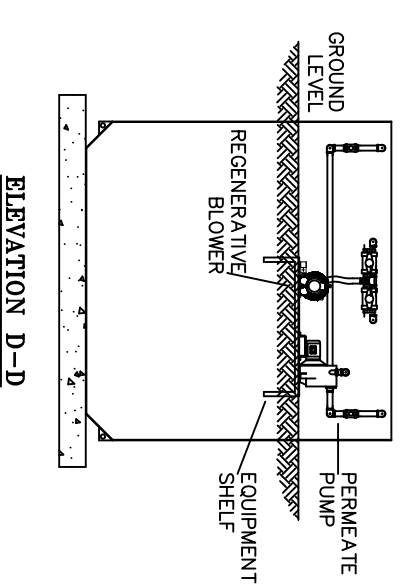
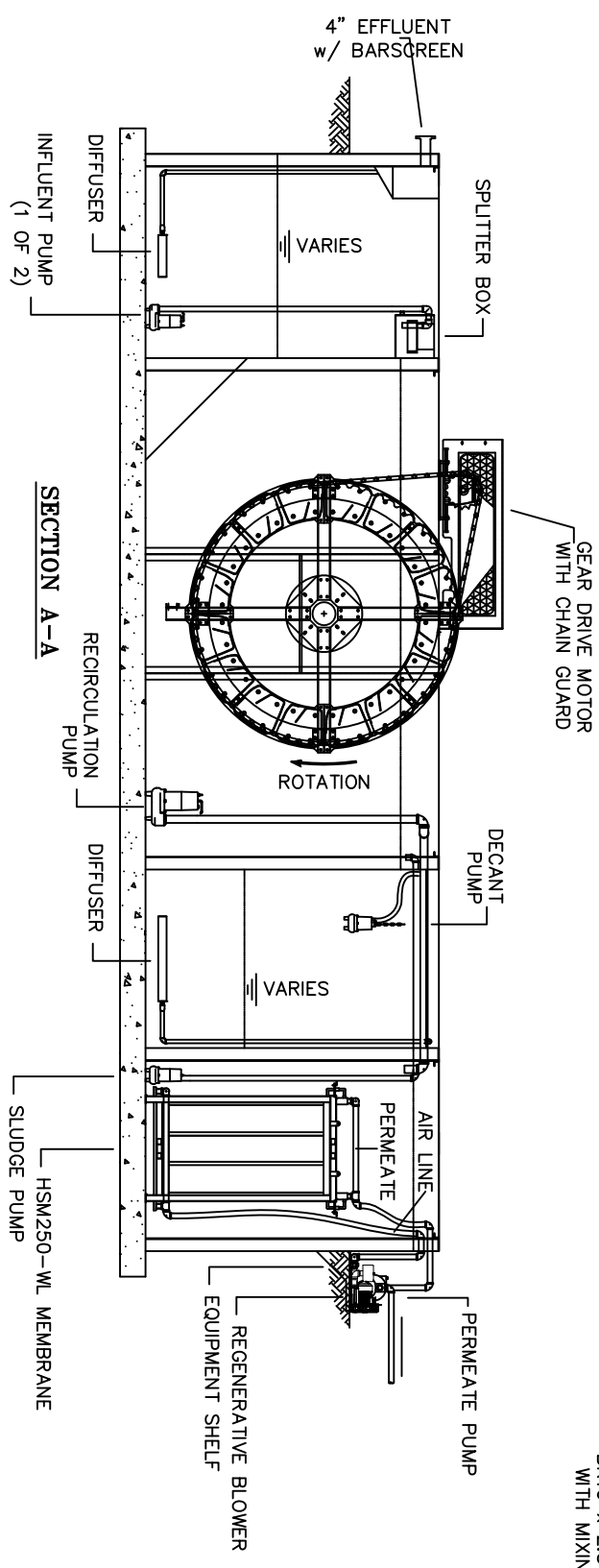
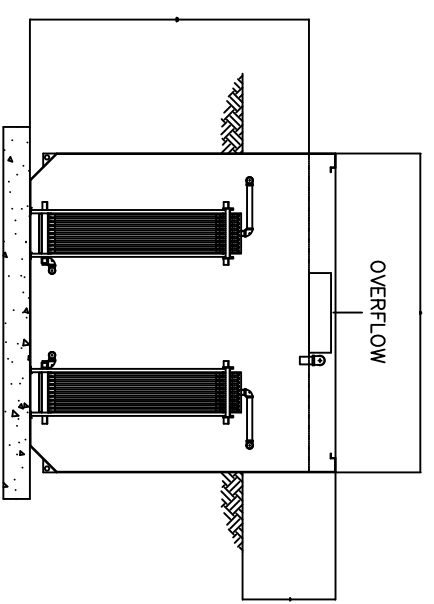


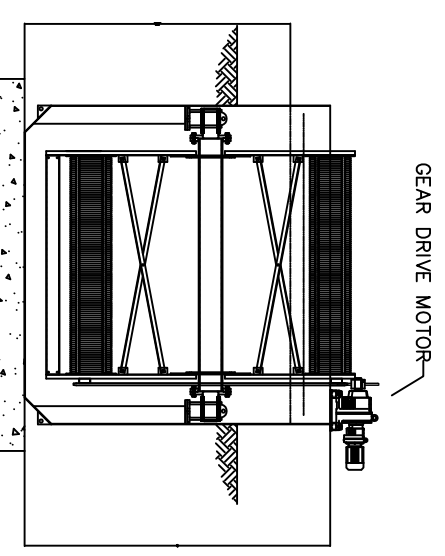
BR16 x 2.5 BIOROTOR™  
WITH MIXING PADDLE



ELEVATION D-D

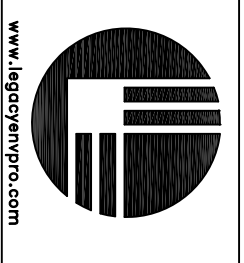


SECTION C-C



SECTION B-B

**NOTICE:**  
THIS DRAWING HAS NOT BEEN PUBLISHED AND IS THE SOLE PROPERTY OF LEGACY ENVIRONMENTAL PROCESS L.L.C. IT IS INTENDED FOR THE PROCESS AND FOR THE PROJECT ONLY. IN NO EVENT SHALL THE DRAWING BE REPRODUCED, COPIED, LENT, OR OTHERWISE DISSEMINATED OR USED FOR ANY PURPOSE OTHER THAN THAT FOR WHICH IT IS SPECIFICALLY FURNISHED.



**LEGACY ENVIRONMENTAL PROCESS L.L.C.**  
1445 Ashville Road, Suite 103  
Leeds, AL 35094 U.S.A.  
Phone: 205-640-1035  
FAX: 205-640-1039

**LEGACY ENVIRONMENTAL PROCESS L.L.C.**  
Biorotor™ BR BIOROTOR MEMBRANE  
BIOREACTOR GENERAL ARRANGEMENT  
STANDARD FOR 50,000 GPD

SCALE: 1:80  
CUSTOMER: LEP-002MBR  
DWG. NO.: LEP-002MBR  
REV: 0

**TOLERANCE UNLESS NOTED:**  
ALL DIMENSIONS IN INCHES.  
DIMENSIONS IN PARENTHESES ARE FRACTIONAL.  
ANGLES = ± 1/2°  
DECIMAL XXX = ± .015  
DECIMAL XXXX = ± .005  
MACH. SURFACE 125 μ IN.  
MACH. SURFACE 125 μ IN.

DRAWN	LR	DATE	7/3/12
CHECKED	MCP	DATE	7/3/12
APPROVED	MCP	DATE	7/3/12
NEXT ASSY		SHEET	1 OF 1